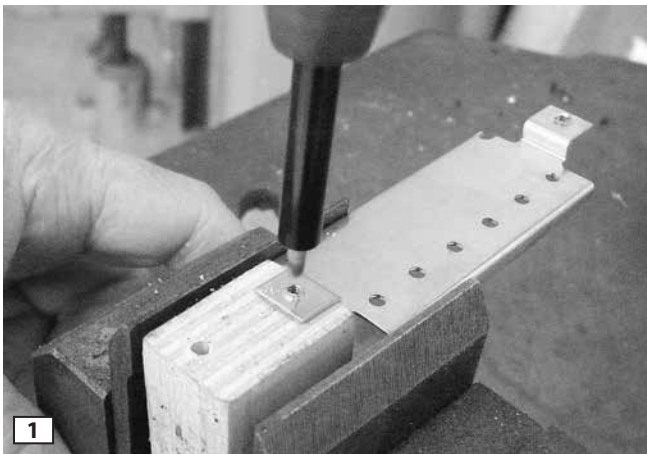
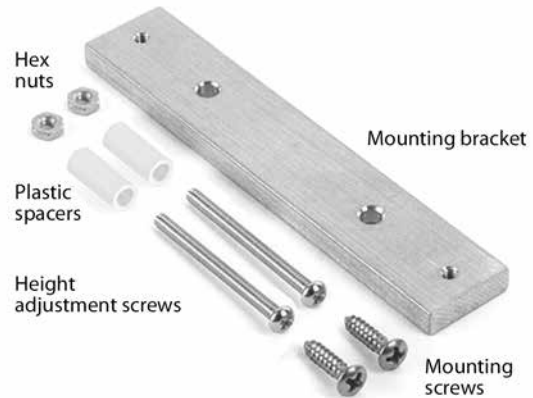


# Deluxe Mini Humbucker Mounting Bracket Set

## Installation Instructions

This mounting set is for installing mini humbucker pickups using our Deluxe Mini Humbucker Mounting Rings.

Gibson® mounted their Les Paul® Deluxe mini-humbuckers a bit differently than other pickups. An aluminum bracket is fastened to the bottom of the pickup cavity and the height screws thread into the bracket.



### 1 Before assembling your pickup

Drill out the mounting ears on the baseplate using a 9/64" drill bit. This allows the height adjustment screws to turn freely in the ears.



3 Holding the height adjustment screws in with your fingers, flip the mounting ring over and slip the plastic spacers over the screws.



2 Slide the height adjustment screws into the mounting ring.



4 Slide your assembled pickup over the height adjustment screws. Because you drilled out baseplate ears in the first step, the pickup slips over the screws and down onto the two plastic spacers.



Thread the hex nuts onto the height adjustment screws and tighten them so the pickup fits tightly against the plastic spacers. Solder the nuts onto the height adjustment screws so they cannot be removed.

The pickup and mounting ring are now joined together into a single assembly. The height adjustment screws should spin freely at this stage.



When installing the mounting bracket in a routed cavity, it's important to center it correctly. To do this, make scrap wood spacers. In this photo, a disassembled clothespin worked perfectly.

Use a scribe to mark the locations for drilling mounting screw holes and the holes to accommodate the height adjustment screws. These adjustment screws need a recess that's 1/4" in diameter and about 1/8" to 1/4" depth (deep enough to allow room for adjustments). Be careful not to drill through the guitar body!



Drill two 5/64" holes for the mounting screws and install the bracket. The mounting bracket is now ready for you to install the mini-humbucker pickup.