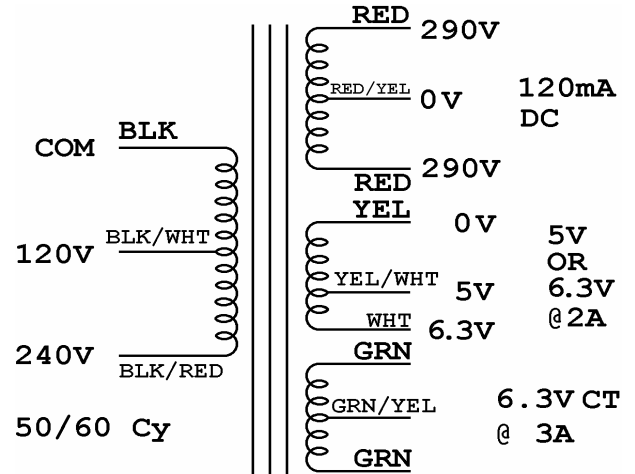
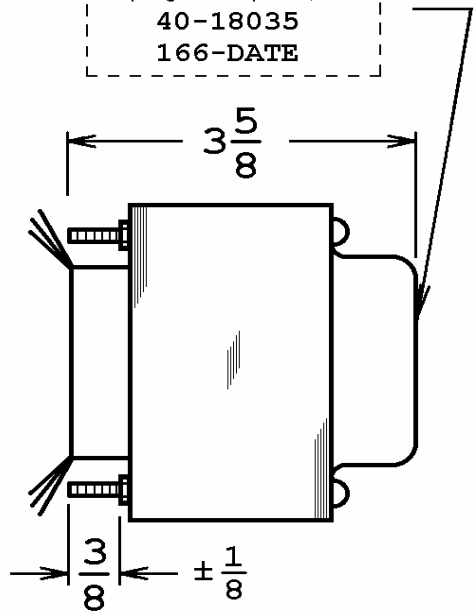
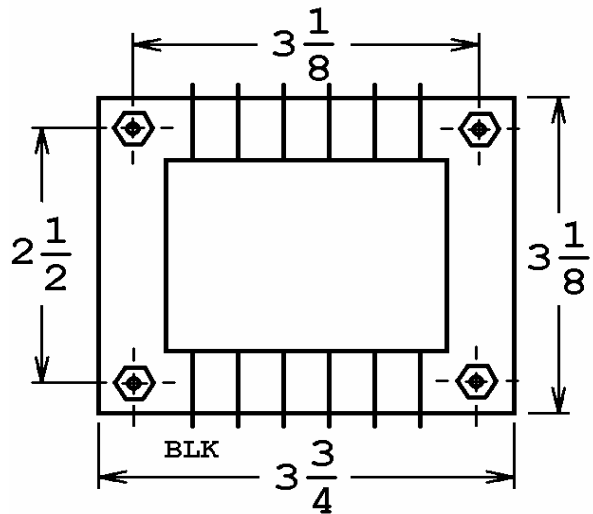


40-18035

This drawing is the property of Magnetic Components, Inc. and shall not be reproduced, in whole or in part, without the written permission of Magnetic Components, Inc.

REVISIONS			
LTR	DESCRIPTION	DATE	APPROVED
A	ADD RATINGS	11/12/09	M. SACKETTI
B	ADD MOUNTING HARDWARE NOTE	10/27/11	M. Sacketti

Classic Tone
By Magnetic Components, Inc.
40-18035
166-DATE



USE FOUR # 8-32 HEX NUTS (NOT SUPPLIED) FOR CHASSIS MOUNTING. PLEASE DO NOT REMOVE EXISTING HEX NUTS.

UNLESS OTHERWISE SPECIFIED		SIGNATURES		DATE		MAGNETIC COMPONENTS, INC.		DIV :		
ALL DIMENSIONS IN INCHES DO NOT SCALE DRAWING		DRAWN : <i>M. Sacketti</i>		10 SEP 09		TITLE		LOC : SCHILLER PK		
FRACTIONS +/-		CHECK :				18W MARSHALL POWER				
.X = +/-		APPR : <i>M. Sacketti</i>		10 SEP 09		CAGE	50508	SIZE	PART No.	REV
.XX = +/-						SCALE		A		B
.XXX = +/-								40-18035		
ANGLES = +/-								SHEET :		