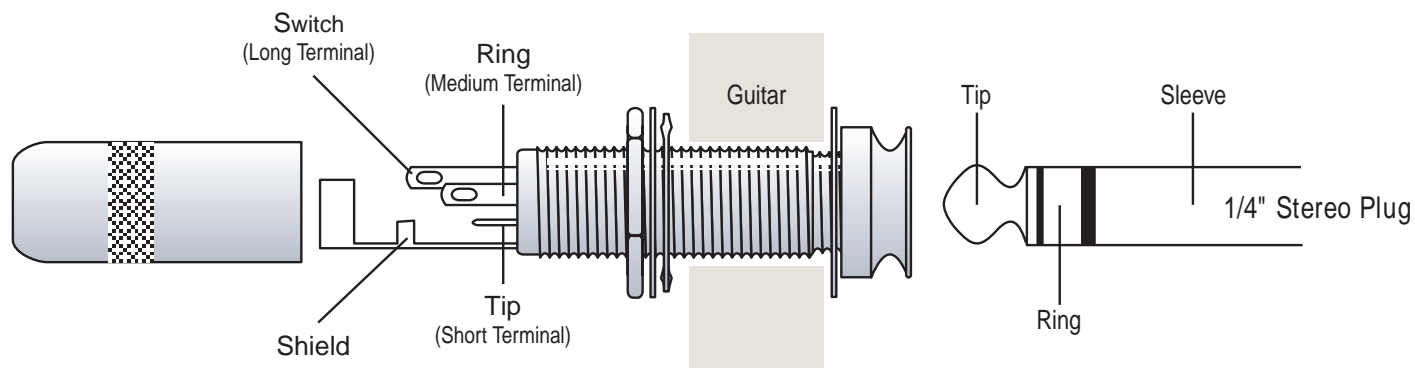


Switchjack™ STEREO SWITCHING ENDPIN JACK

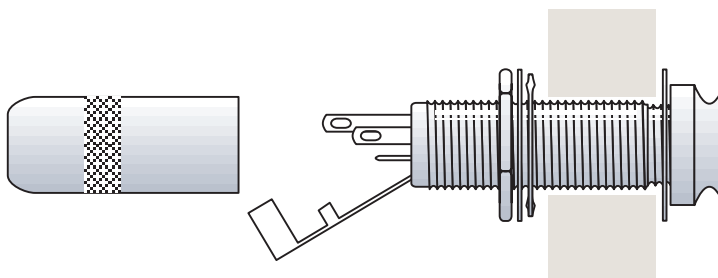


Our new **SWITCHJACK™** T•R•S•S (Tip/Ring/Sleeve/Switch) Stereo Switching Endpin Jack allows simultaneous stereo operation and battery switching. This new configuration now simplifies stereo wiring with many pickup combinations that were previously incompatible.

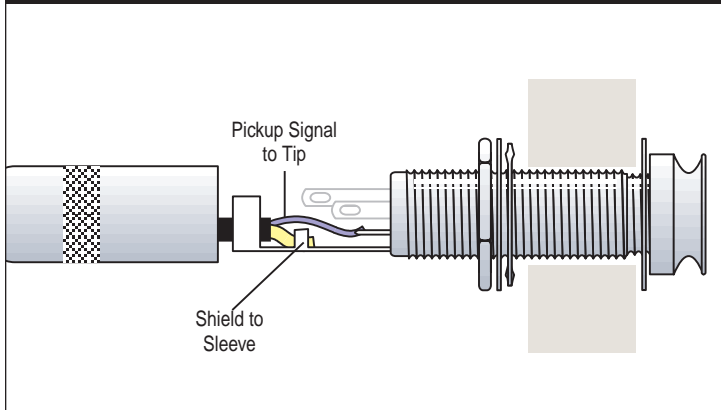
- Fishman-designed, industry standard endpin jack.
- New internal contact geometry for reliable, noiseless operation and better plug retention.
- Manufactured exclusively for Fishman by Switchcraft® Inc.

Wiring

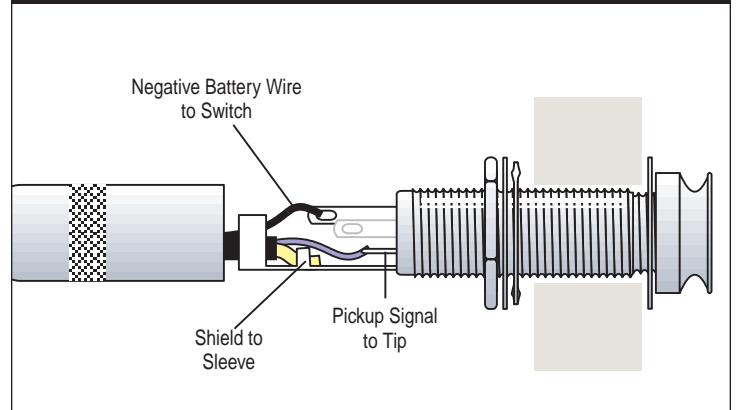
To gain better access to the Tip, Ring and Switch terminals, gently bend back the Strain Relief/Sleeve tab, before you begin to solder.



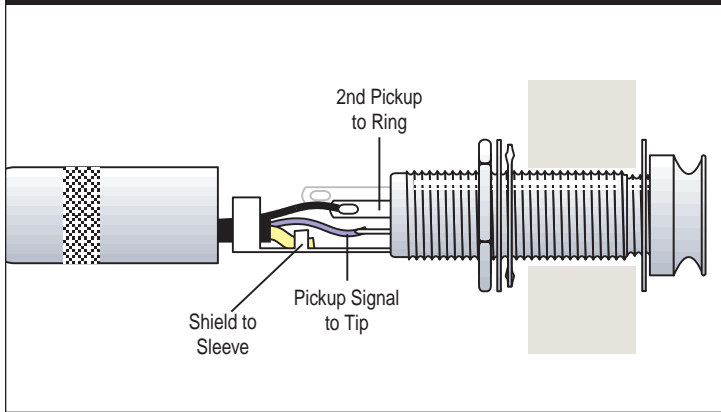
Mono Wiring a Passive Pickup



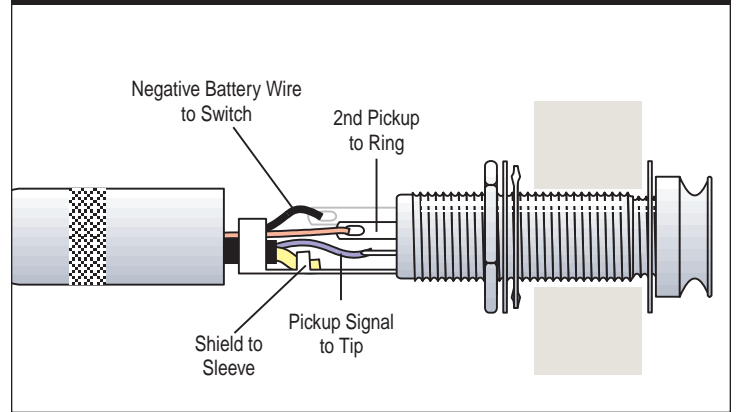
Mono Wiring an Active Pickup



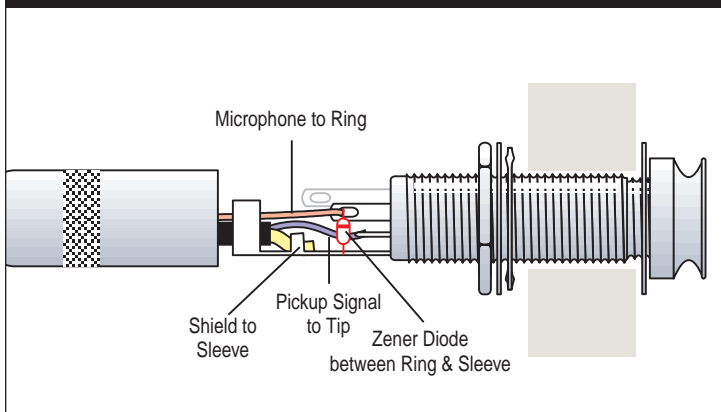
Stereo Wiring a Second Pickup to a Passive Pickup



Stereo Wiring a Second Pickup to an Active Pickup



Stereo Wiring a Passive Pickup & Microphone



Stereo Wiring an Active Pickup & Microphone

