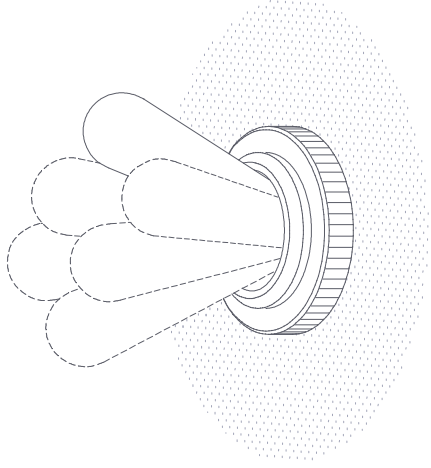


# FREE-WAY

6 Position Selector Switch

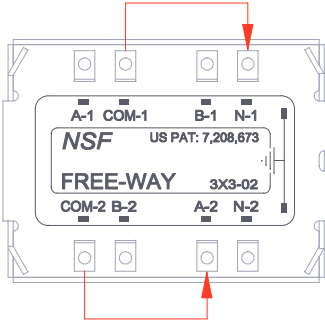


Model No:-

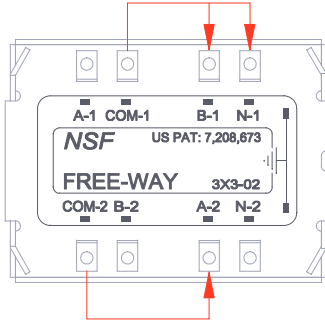
**3X3-02**

Multi-function Pickup Selector Switching for Guitars

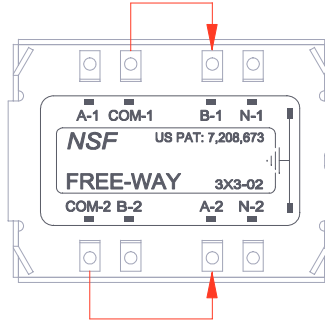
POSITION 1



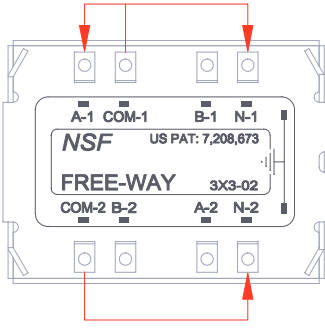
POSITION 2



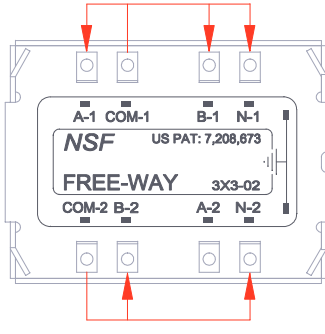
POSITION 3



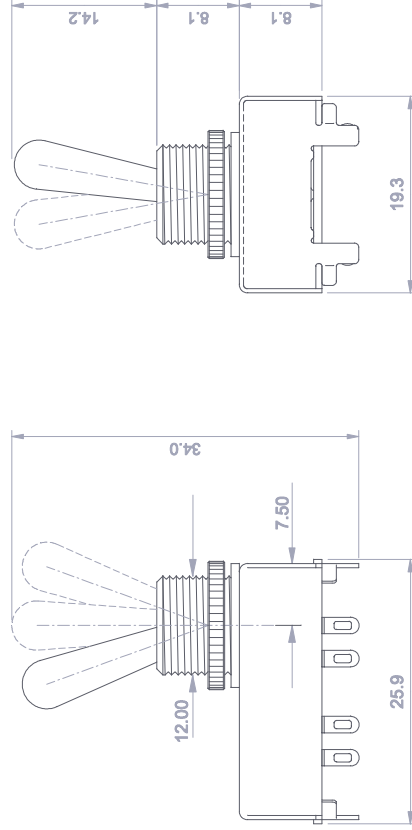
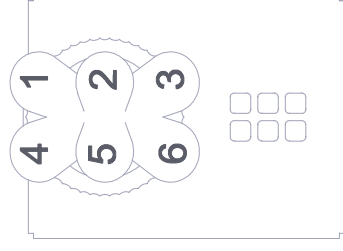
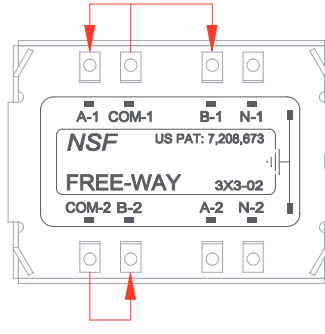
POSITION 4



POSITION 5



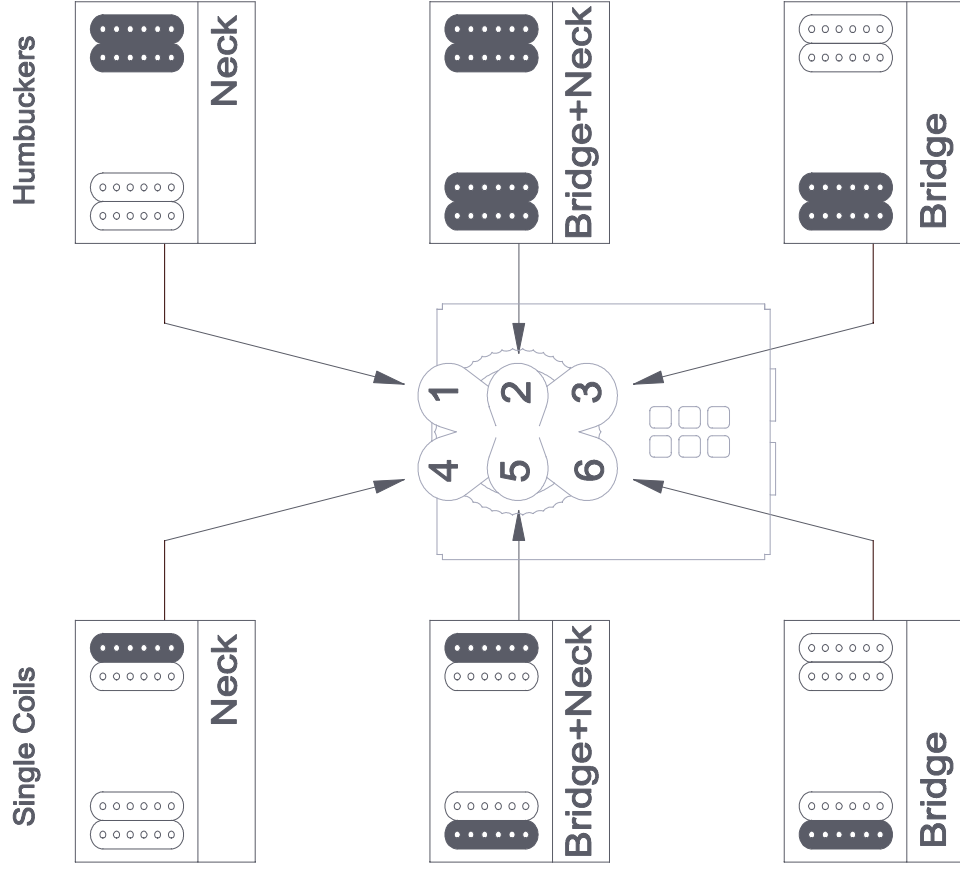
POSITION 6



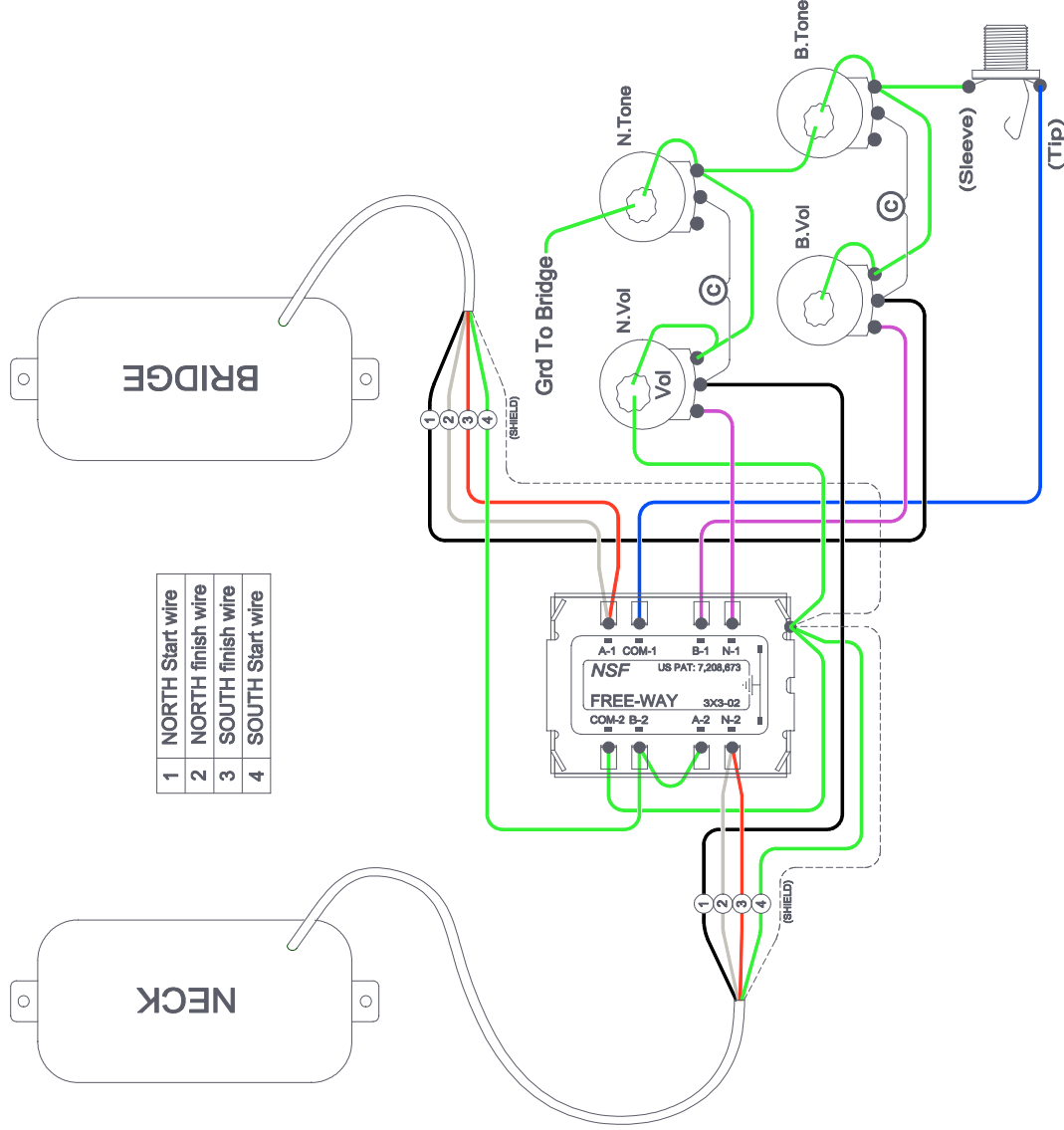
**3X3-02**

**Schematic**

FRONT VIEW OF PICKUPS AND SWITCH



REVERSE VIEW OF PICKUPS AND SWITCH



- |   |                   |
|---|-------------------|
| 1 | NORTH Start wire  |
| 2 | NORTH finish wire |
| 3 | SOUTH finish wire |
| 4 | SOUTH Start wire  |

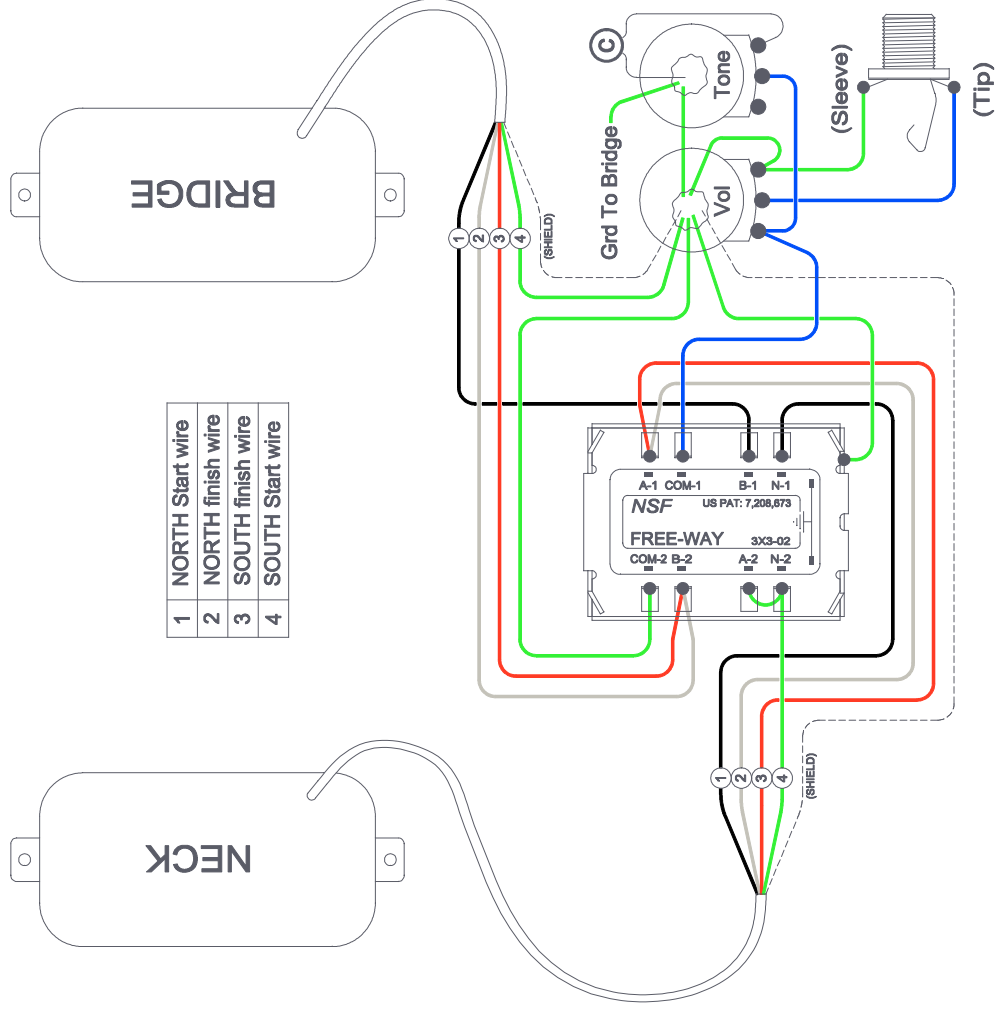
Use 15W Soldering Iron.

Avoid prolonged heating of contacts.

Avoid soldering multiple wires onto single contacts.

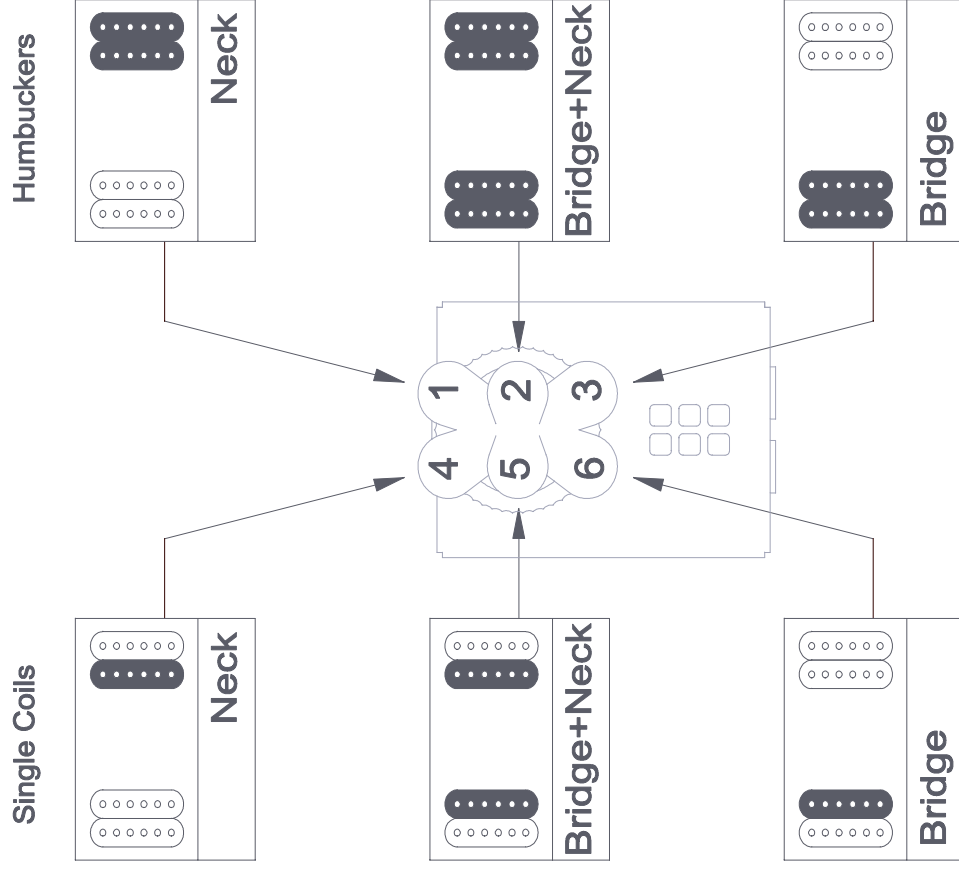
Note: swap wiper and output terminations to Vol Pot.s for 'Master Volume' wiring.

REVERSE VIEW OF PICKUPS AND SWITCH

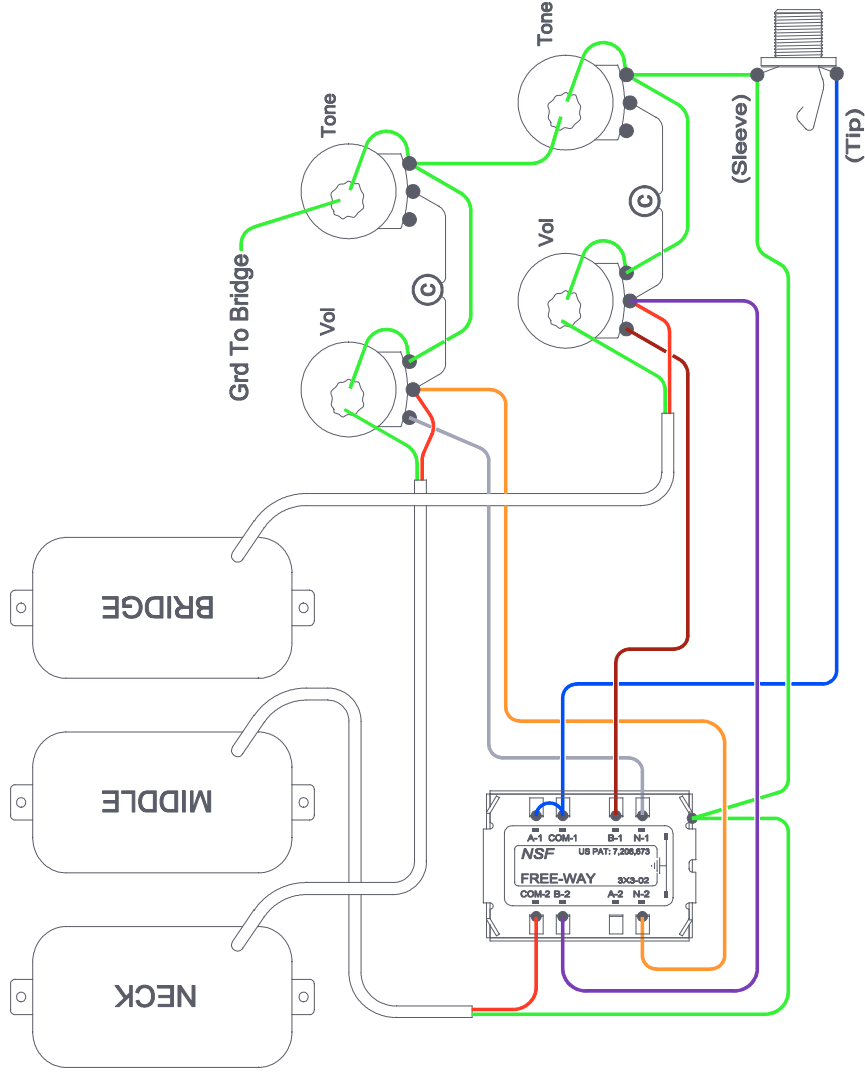


Use 15W Soldering Iron.  
 Avoid prolonged heating of contacts.  
 Avoid soldering multiple wires onto single contacts.

FRONT VIEW OF PICKUPS AND SWITCH



REVERSE VIEW OF PICKUPS AND SWITCH



Use 15W Soldering Iron.

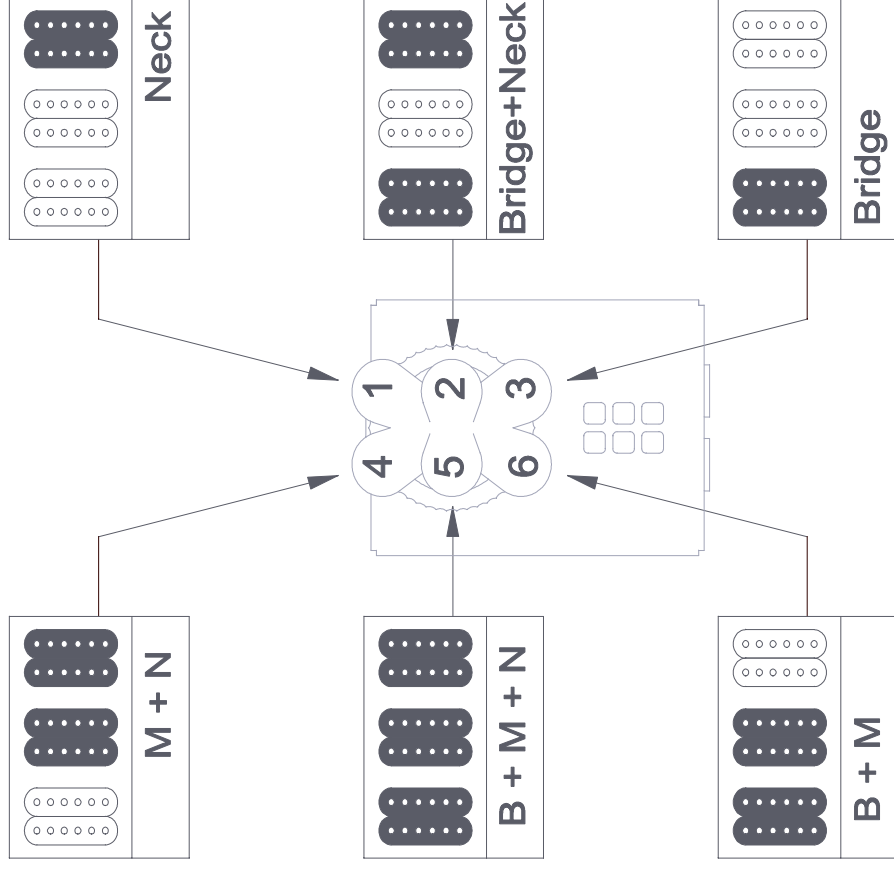
Avoid prolonged heating of contacts.

Avoid soldering multiple wires onto single contacts.

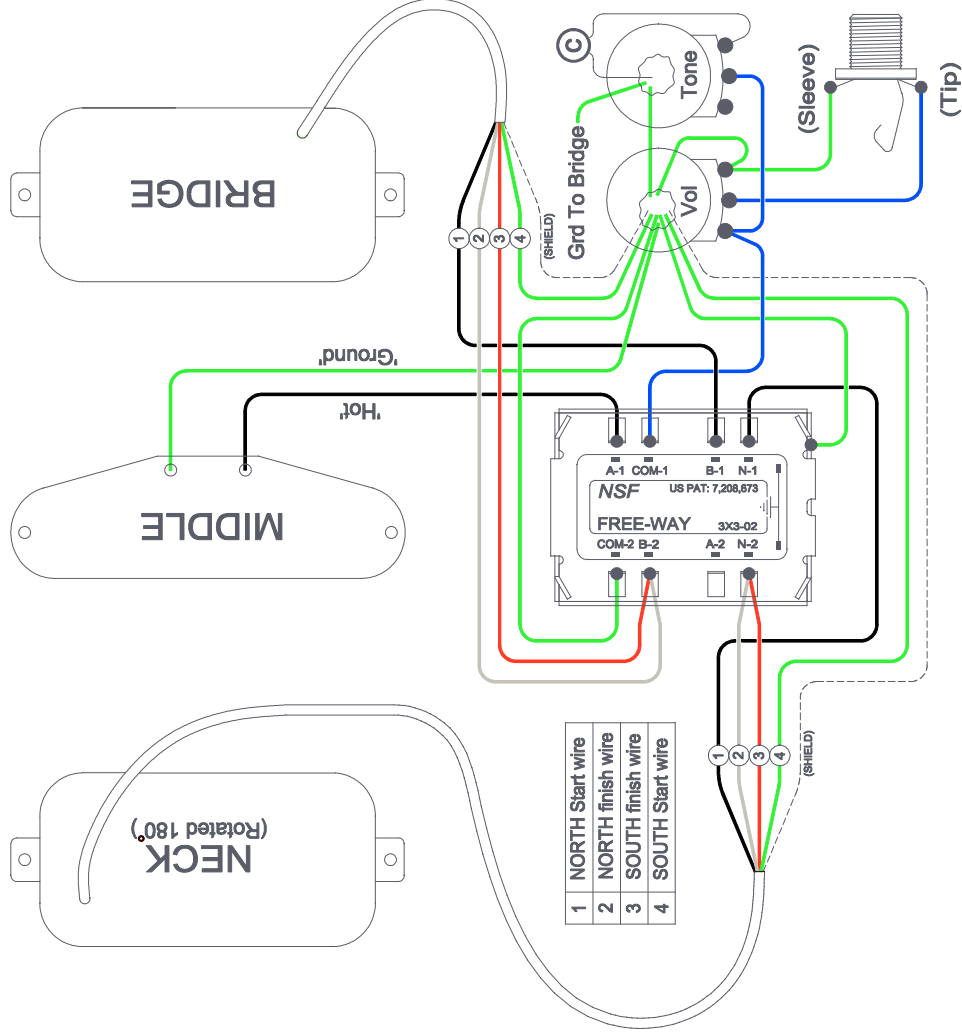
Note: middle pickup would normally be out of phase with outer pickups.

Note: swap wiper and output terminations to Vol Pot.s for 'Master Volume' wiring.

FRONT VIEW OF PICKUPS AND SWITCH

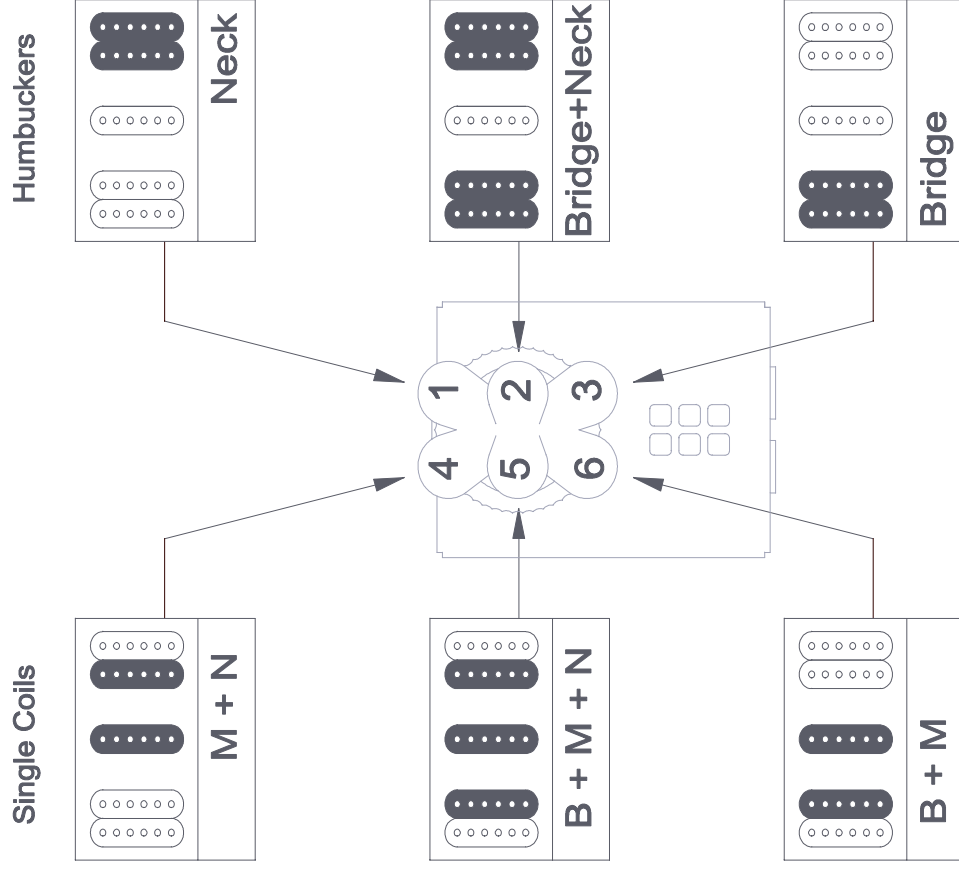


REVERSE VIEW OF PICKUPS AND SWITCH

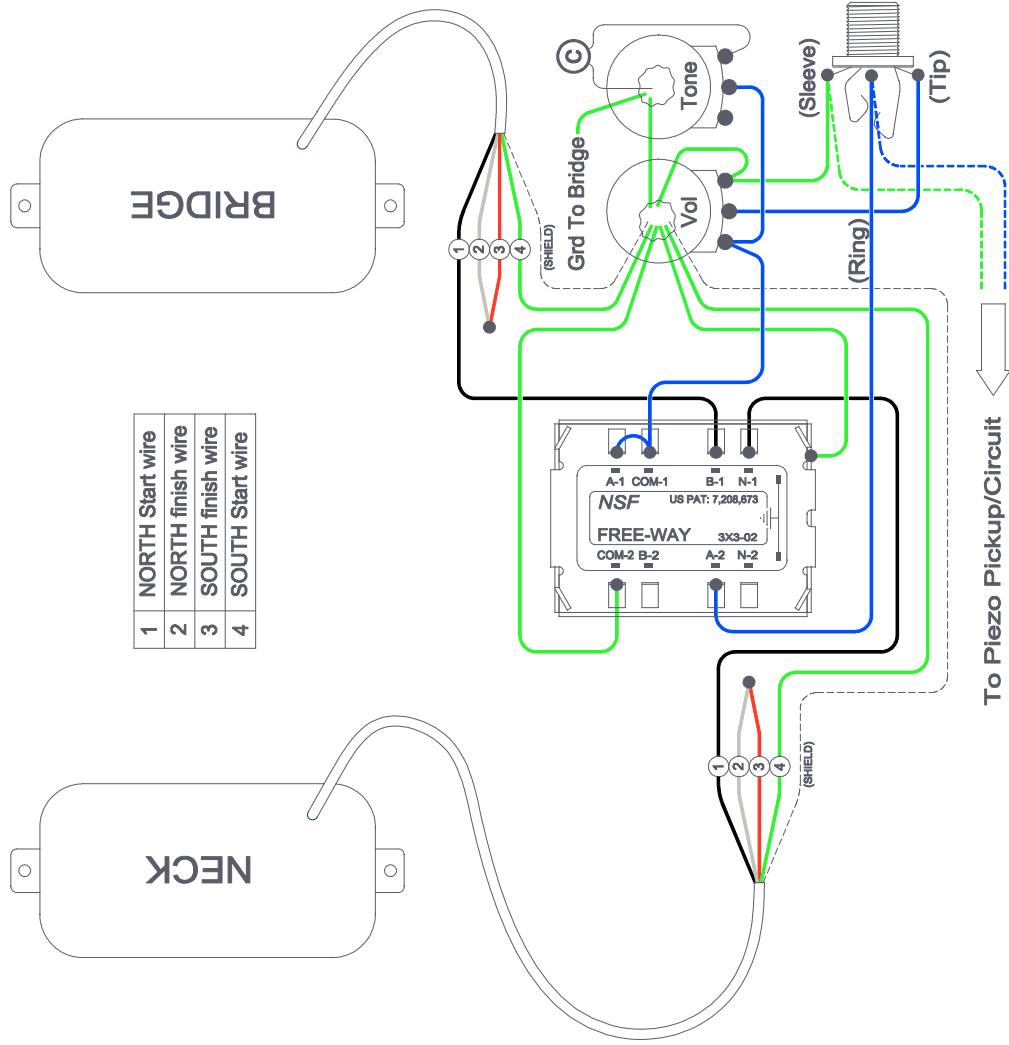


Use 15W Soldering Iron.  
 Avoid prolonged heating of contacts.  
 Avoid soldering multiple wires onto single contacts.

FRONT VIEW OF PICKUPS AND SWITCH

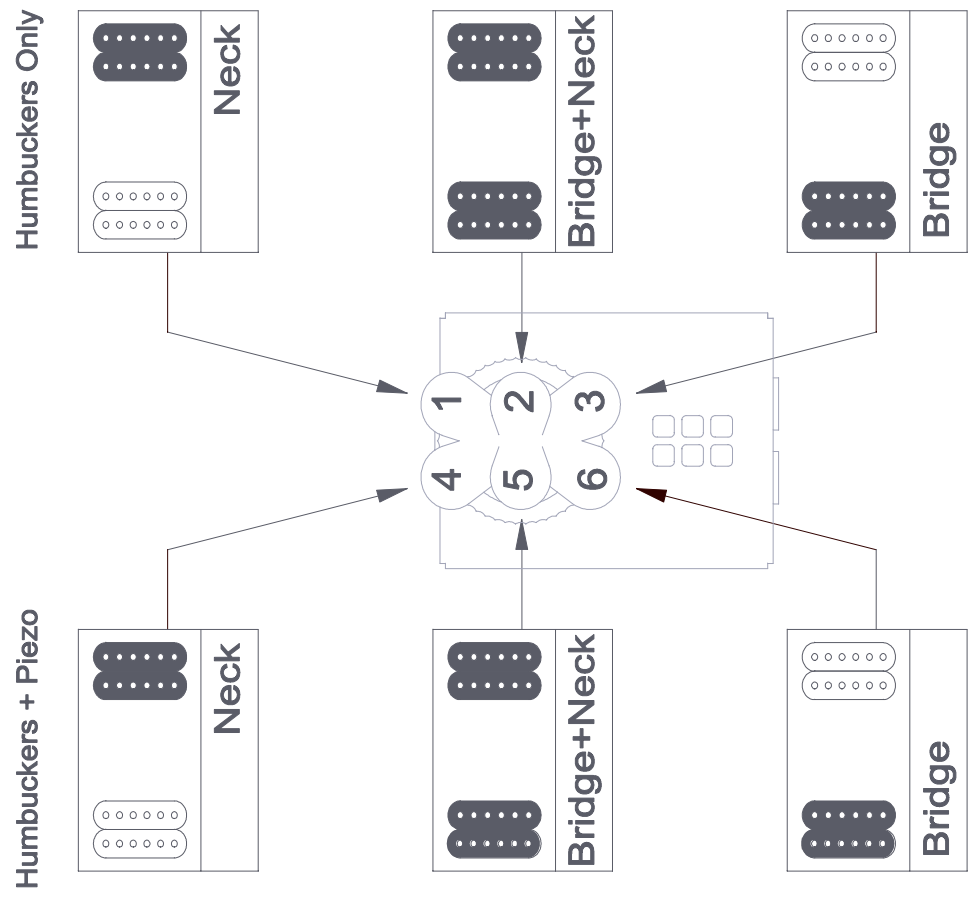


**REVERSE VIEW OF PICKUPS AND SWITCH**

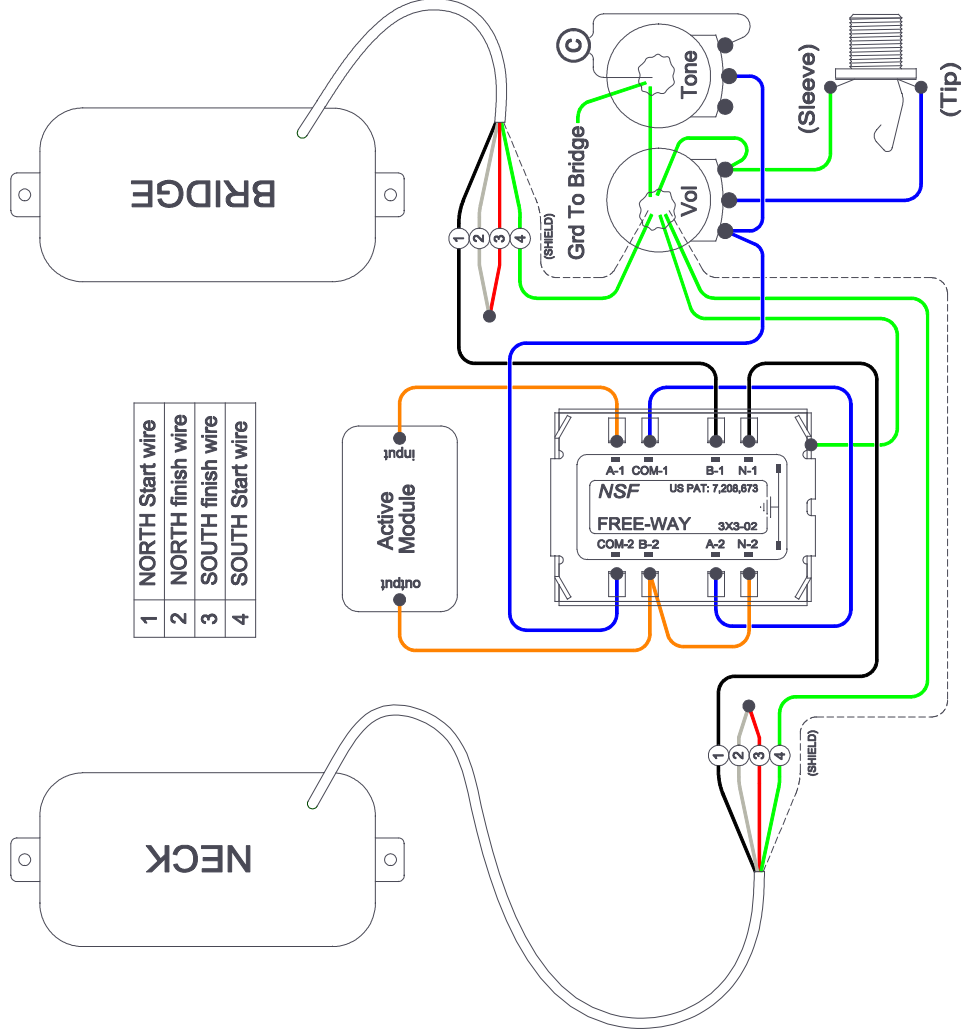


Use 15W Soldering Iron.  
 Avoid prolonged heating of contacts.  
 Avoid soldering multiple wires onto single contacts.  
 Note: follow manufacturers instructions for the installation of the piezo circuit.

**FRONT VIEW OF PICKUPS AND SWITCH**



**REVERSE VIEW OF PICKUPS AND SWITCH**



Use 15W Soldering Iron.  
 Avoid prolonged heating of contacts.  
 Avoid soldering multiple wires onto single contacts.  
 Follow Manufacturers instructions for electrical supply to active module.

**FRONT VIEW OF PICKUPS AND SWITCH**

